



ACCESS flexibility.

HID's iCLASS® 13.56 MHz read/write contactless smart card technology enables numerous applications and supports future growth for an organization's credential program. A unique form factor, the iCLASS Key II provides the convenience of an iCLASS contactless read/write smart card that is durable for harsh environments.

The size of a typical automotive key, this credential form factor can be placed on a key ring or lanyard and customized for corporate identity and branding purposes. The molded plastic key fob is ideal for diverse applications including access control, network log-on security, parking applications, cashless vending, time and attendance and biometric verification.

Features:

- ▶ The iCLASS 13.56 MHz read/write contactless smart key technology provides high-speed, reliable communications with high data integrity.
- ▶ iCLASS technology ensures high security with mutual authentication, encrypted data transfer, and 64-bit diversified keys for read/write capabilities.
- ▶ Any existing HID format can be factory or field programmed into the secure HID access control application area.
- ▶ Available in 2k bit (256 Byte), 16k bit (2k Byte) or 32k bit (4k Byte) configurations.
- ▶ Molded plastic enclosure provides durability in harsh environments.

All 2k bit (256 Byte) iCLASS credentials have the following features:

- ▶ Available in two application area configuration only.
- ▶ Provides the HID standard access control application area and one other application area for user customization.
- ▶ Meets ISO 15693 standard for contactless communications.
- ▶ Provides a cost effective way to improve the security of your access control installation.

All 16k bit (2k Byte) and 32k bit (4k Byte) iCLASS credentials have the following features:

- ▶ Sufficient read/write memory to store multiple biometric templates.
- ▶ 16k available in a two or sixteen application area configuration. 32k available with 16k memory configured in either 2 or 16 application areas, plus an additional 16k user configurable memory.
- ▶ Meets ISO 15693 and I4443B for contactless communications.

Features

Read/write Functionality for Multi-functional Memory Applications

iCLASS® was specifically designed to make access control more powerful, more versatile, and more secure. All radio frequency data transmission between the key and reader is encrypted using a secure algorithm. By using industry standard encryption techniques, iCLASS reduces the risk of compromised data or duplicated keys. Multiple securely separated application areas are each protected by 64-bit diversified read/write keys which allow complex applications and provide for future expansion.

Security mechanisms such as mutual authentication and encryption are efficiently combined with fast processing and data communication, resulting in transaction times of less than 100 milliseconds for a typical secure e-purse transaction.

Proven, Reliable Technology

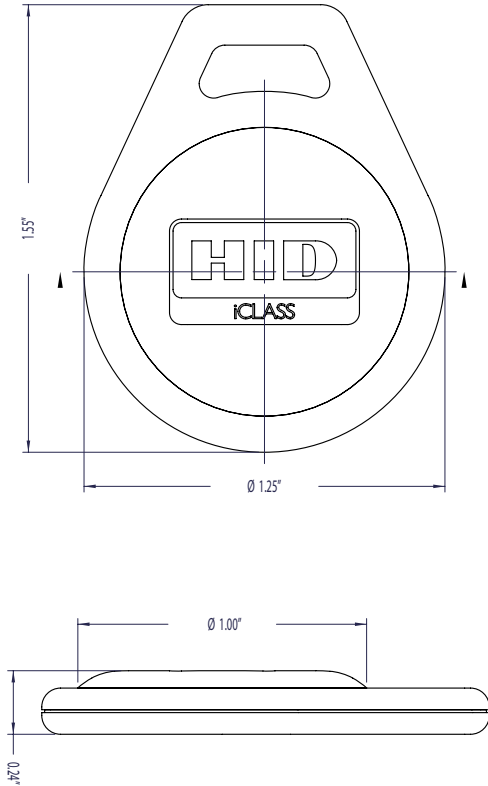
Offers extremely consistent read range. Unaffected by body shielding or variable environmental conditions.

Small and Convenient

Can be carried with keys in pocket, handbag, or clipped on a lanyard.

Long Life

Passive, no-battery design allows for an estimated minimum 100,000 reads.



Base Part Number	2050, 2051, 2052, 2053, 2054
Description	RF-programmable, 13.56 kHz, black with blue insert, customer-specified ID Numbers.
*Typical Maximum Read Range	R10 2" (5.1 cm) RP15 1 3/4" (4.6 cm) R30/RW300 2 1/4" (5.9 cm) R40/RW400 2 3/4" (7.0 cm) RK40/RWK400 2" (5.1 cm) RP40 2 1/2" (6.6 cm)
Dimensions	1.555 x 1.25 x 0.235 inches max (3.95 x 3.18 x 0.60 cm)
Key Fob Construction	Ultrasonically welded ABS Shell with TPE insert
Operating Temperature	-50° to 160° F (-45° to 70° C)
Weight	0.14 oz (4.0g)
Memory Size/ Application Areas	2k bit (256 Byte) key – 2 application areas 16k bit (2k Byte) key – 2 or 16 application areas 32k bit (4k Byte) card – 16k bits in 2 or 16 application areas plus 16k bit user configurable.
HID Proximity 125 kHz	No
Contact Smart Chip Module Embeddable	No
Wiegand Stripe	No
Magnetic Stripe	No
Printable	No
Standard HID Artwork	Yes
Slot Punch	Key Ring Hole
Visual Security Options	N/A
Additional Security Options	Corporate 1000
Warranty	Lifetime
Options	Key Ring sold separately (Part Number: 57-0001-02) External card numbering (inkjet or laser engraving). *Dependent upon installation conditions. Tested using Rev "C" readers.



ACCESS experience.

HID Global Offices:

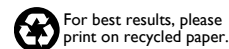
Corporate North America
15370 Barranca Pkwy
Irvine, CA 92618
U.S.A.
Phone: (800) 237-7769
Phone: +1 (949) 732-2000
Fax: +1 (949) 732-2360

Asia Pacific
19/F 625 King's Road
North Point
Island East
Hong Kong
Phone: +852 3160-9800
Fax: +852 3160-4809

Latin America
Vasco de Quiroga No. 1900 - 202
Centro Ciudad Santa Fé
Delegación Alvaro Obregón
01210 México, D.F.
Tel.: +52 (55) 5081-1650
Fax: +52 (55) 5081-1670

Europe, Middle East & Africa
Phoenix Road
Haverhill, Suffolk
CB9 7AE
England
Phone: +44 (0) 1440 714 850
Fax: +44 (0) 1440 714 840

© 2010 HID Global. All rights reserved. HID, the HID logo, and iCLASS are trademarks or registered trademarks of HID Global in the U.S. and/or other countries. All other trademarks, service marks, and product or service names are trademarks or registered trademarks of their respective owners. Rev. 4/2010



MKT-iCLASSKEY_DS_EN

hidglobal.com